



**BUILDING CODE COMPLIANCE OFFICE (BCCO)  
PRODUCT CONTROL DIVISION**

**MIAMI-DADE COUNTY, FLORIDA  
METRO-DADE FLAGLER BUILDING  
140 WEST FLAGLER STREET, SUITE 1603  
MIAMI, FLORIDA 33130-1563  
(305) 375-2901 FAX (305) 375-2908**

**NOTICE OF ACCEPTANCE (NOA)**

**STORMPROOF  
8500 NW 64 Street  
Miami, FL 33166**

**SCOPE:**

This NOA is being issued under the applicable rules and regulations governing the use of construction materials. The documentation submitted has been reviewed by Miami-Dade County Product Control Division and accepted by the Board of Rules and Appeals (BORA) to be used in Miami Dade County and other areas where allowed by the Authority Having Jurisdiction (AHJ).

This NOA shall not be valid after the expiration date stated below. The Miami-Dade County Product Control Division (In Miami Dade County) and/or the AHJ (in areas other than Miami Dade County) reserve the right to have this product or material tested for quality assurance purposes. If this product or material fails to perform in the accepted manner, the manufacturer will incur the expense of such testing and the AHJ may immediately revoke, modify, or suspend the use of such product or material within their jurisdiction. BORA reserves the right to revoke this acceptance, if it is determined by Miami-Dade County Product Control Division that this product or material fails to meet the requirements of the applicable building code.

This product is approved as described herein, and has been designed to comply with the Florida Building Code, including the High Velocity Hurricane Zone.

**DESCRIPTION: Series "100" Aluminum Single Hung Windows (L.M.I.)**

**APPROVAL DOCUMENT:** Drawing No. **04-026**, titled "Series "100" Single Hung Windows (L.M.I)", sheets 1 through 5 of 5, prepared by TILTECO, Inc., signed and sealed by Walter A. Tillit Jr., P.E., dated 03/03/04, bearing the Miami-Dade County Product Control Approval Stamp with the Notice of Acceptance number and expiration date by the Miami-Dade County Product Control Division.

**MISSILE IMPACT RATING: Large and Small Missile Impact**

**LABELING:** Each unit shall bear a permanent label with the manufacturer's name or logo, city, state and following statement: "Miami-Dade County Product Control Approved", unless otherwise noted herein.

**RENEWAL** of this NOA shall be considered after a renewal application has been filed and there has been no change in the applicable building code negatively affecting the performance of this product.

**TERMINATION** of this NOA will occur after the expiration date or if there has been a revision or change in the materials, use, and/or manufacture of the product or process. Misuse of this NOA as an endorsement of any product, for sales, advertising or any other purposes shall automatically terminate this NOA. Failure to comply with any section of this NOA shall be cause for termination and removal of NOA.

**ADVERTISEMENT:** The NOA number preceded by the words Miami-Dade County, Florida, and followed by the expiration date may be displayed in advertising literature. If any portion of the NOA is displayed, then it shall be done in its entirety.

**INSPECTION:** A copy of this entire NOA shall be provided to the user by the manufacturer or its distributors and shall be available for inspection at the job site at the request of the Building Official.

This NOA consists of this page 1 and evidence page E-1 and E-2, as well as approval document mentioned above. The submitted documentation was reviewed by **Theodore Berman, P.E.**

3/16/2004

**NOA No 04-0205.01  
Expiration Date: April 08, 2009  
Approval Date: April 08, 2004  
Page 1**

**STORMPROOF**

**NOTICE OF ACCEPTANCE: EVIDENCE SUBMITTED**

**A. DRAWINGS**

1. Manufacturer's die drawings and sections.
2. Drawing No **04-026**, titled "Series "100" Single Hung Window (L.M.I.)" Sheets 1 through 5 of 5, prepared by TILETCO Inc., dated 03/03/04, signed and sealed by Walter A. Tillit Jr., P.E.

**B. TESTS**

1. Test reports on 1) Large Missile Impact Test per FBC, TAS 201-94  
2) Cyclic Wind Pressure Loading per FBC, TAS 203-94  
along with marked-up drawings and installation diagram of a single hung window, prepared by Hurricane Engineering and Testing Inc., Test Report No. **HETI-03-1809**, dated 4/17/03, signed and sealed by Rafael E. Droz-Seda, P.E.
2. Test reports on 1) Small Missile Impact Test per FBC, TAS 201-94  
2) Cyclic Wind Pressure Loading per FBC, TAS 203-94  
along with marked-up drawings and installation diagram of a single hung window, prepared by Hurricane Engineering and Testing Inc., Test Report No. **HETI-03-1768**, dated 1/17/03, signed and sealed by Rafael E. Droz-Seda, P.E.
3. Test reports on 1) Air Infiltration Test, per FBC, TAS 202-94  
2) Uniform Static Air Pressure Test, Loading per FBC, TAS 202-94  
3) Water Resistance Test, per FBC, TAS 202-94  
4) Large Missile Impact Test per FBC, TAS 201-94  
5) Cyclic Wind Pressure Loading per FBC, TAS 203-94  
along with marked-up drawings and installation diagram of a single hung window, prepared by American Test Lab of South Florida, Test Report No. **ATL-0708.03-03**, dated 12/12/01, signed and sealed by Henry Hattem, P.E.

**C. CALCULATIONS**

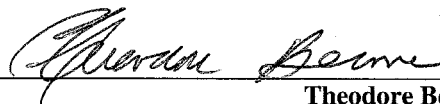
1. Anchor Calculations, ASTM-E1300, and structural analysis, prepared by PGT Industries, dated 02/02/04, signed and sealed by Walter A. Tillit Jr., P.E.

**D. QUALITY ASSURANCE**

1. Miami Dade Building Code Compliance Office (BCCO).

**E. MATERIAL CERTIFICATIONS**

1. Notice of Acceptance No. **01-1204.01** issued to "E.I. DuPont DeNemours" For "Sentry Glass R Plus" dated 01/17/02, expiring on 1/14/07.
2. Notice of Acceptance No. **00-1212.04** issued to "E.I DuPont DeNemours" for "Dupont Butacite R PVB" dated 02/15/01, expiring on 12/11/05.



Theodore Berman, P.E.  
Deputy Director, Product Control Division  
NOA No 04-0205.01  
Expiration Date: April 08, 2009  
Approval Date: April 08, 2004

**STORMPROOF**

**NOTICE OF ACCEPTANCE: EVIDENCE SUBMITTED**

**F. STATEMENTS**

1. Statement letter of conformance and no financial interest, dated January 23, 2004, signed and sealed by Walter A. Tillit Jr., P.E.

**G. OTHER**

1. Letter from the consultant stating that the product is in compliance with the Florida Building Code (FBC).



Theodore Berman, P.E.  
Deputy Director, Product Control Division  
NOA No 04-0205.01  
Expiration Date: April 08, 2009  
Approval Date: April 08, 2004

**GENERAL NOTES AND SPECIFICATIONS FOR SERIES 100:**

1. SERIES 100 SINGLE HUNG WINDOW—LARGE MISSILE IMPACT RESISTANT, SHOWN ON THIS PRODUCT APPROVAL DOCUMENT (P. A. D.) HAS BEEN VERIFIED FOR COMPLIANCE IN ACCORDANCE WITH THE 2001 EDITION OF THE FLORIDA BUILDING CODE.  
WINDOW MAY BE INSTALLED AT HIGH VELOCITY HURRICANE ZONES.  
DESIGN WIND LOADS SHALL BE DETERMINED AS PER SECTION 1619 OF THE ABOVE MENTIONED CODE. IN ORDER TO VERIFY THAT ANCHORS ON THIS P.A.D., AS TESTED, WERE NOT OVERSTRESSED, A 33% INCREASE IN ALLOWABLE STRESS FOR WIND LOADS WAS **NOT** USED IN THEIR ANALYSIS.  
THIS WINDOW'S ADEQUACY FOR IMPACT AND CYCLIC RESISTANCE HAS BEEN VERIFIED IN ACCORDANCE WITH SECTION 1606.1.4 OF THE ABOVE MENTIONED CODE AS PER TAS-201, TAS-202, TAS-203 AS PER LAB REPORTS # HETI 03-1809 & ATL 0708.03-03 AND AS PER SUBMITTED STRUCTURAL CALCULATIONS, PERFORMED AS PER SECTION 1611 OF THE FLORIDA BUILDING CODE.
2. ALL ALUMINUM EXTRUSIONS SHALL BE ALUMINUM ASSOCIATION 6063-T6 ALLOY AND TEMPER (UNLESS OTHERWISE NOTED), WITH  $F_y = 25.0$  ksi MINIMUM. THE THICKNESS OF ALL EXTRUSIONS SHALL BE AS SHOWN ON THIS DRAWING.
3. ALL SCREWS USED FOR ASSEMBLY CONNECTIONS (METAL TO METAL) TO BE STAINLESS STEEL 304 OR 316 AISI SERIES OR CORROSION RESISTANT COATED CARBON STEEL AS PER DIN 50018 WITH 50 ksi YIELD POINT AND 90 ksi TENSILE STRENGTH.
4. WOOD BUCKS BY OTHERS, MUST BE ANCHORED PROPERLY TO TRANSFER LOADS TO THE BUILDING STRUCTURE. WOOD BUCKS MUST BE SOUTHERN PINE W/  $G = 0.55$ .  
WOOD BUCKS NOT BY STORMPROOF, MUST SUSTAIN LOADS IMPOSED BY GLAZING SYSTEM AND TRANSFER THEM TO THE BUILDING STRUCTURE.
5. ANCHORS NOTES: ANCHORS TO WALL SHALL BE AS FOLLOWS:  
(A) TO EXISTING POURED CONCRETE: (Min.  $f'_c = 3$  ksi)  
- 1/4"Ø TAPCON ANCHORS W/ 1 1/4" MIN EMBEDMENT, AS MANUFACTURED BY I.T.W. BUILDEX OR ELCO TEXTRON (COMPONENT **22**), THRU 1" P.T. WOOD BUCK.  
(B) TO EXISTING CONCRETE BLOCK WALL:  
- 1/4"Ø TAPCON ANCHORS W/ 1 1/4" MIN EMBEDMENT, AS MANUFACTURED BY I.T.W. BUILDEX OR ELCO TEXTRON (COMPONENT **22**), THRU 1" P.T. WOOD BUCK.  
(C) TO EXISTING 2" P.T. WOOD BUCK:  
- #14 FH WOOD SCREWS (NON CORROSIVE) W/ 1 1/2" MIN EMBEDMENT (COMPONENT **22A**)
6. PROVIDE 1/4" MAX. SHIM SPACE (TYP.).
7. **THIS WINDOW WILL NOT REQUIRE A HURRICANE PROTECTION DEVICE.**
8. PROVIDE SCHNEE MOREHEAD SEAM SEALER SM5504 SEALANT (TYP.) AT ALL FRAME AND SASH (VENT) JOINTS.
9. BALANCE MECHANISM NOT PART OF THIS APPROVAL, BUT SHALL BE CERTIFIED BY AN INDEPENDENT TESTING AGENCY.
10. REMAINING COMPONENTS FOR THIS WINDOW'S SYSTEM SHALL BE AS INDICATED ON BILL OF MATERIALS, SHEET 4 OF THIS DRAWING.
11. WINDOW'S MANUFACTURER STAMP SHALL BE PLACED ON THE EXPOSED SURFACE OF PROFILES **2** OR **3**.  
ONE LABEL SHALL BE PLACED FOR EVERY OPENING. LABEL SHALL READ AS FOLLOWS:  
STORMPROOF  
MIAMI, FLORIDA.  
MIAMI-DADE COUNTY PRODUCT CONTROL APPROVED.
12. (a) THIS P.A.D. PREPARED BY THIS ENGINEER IS GENERIC AND DOES NOT PROVIDE INFORMATION FOR A SITE SPECIFIC PROJECT; i.e. WHERE THE SITE CONDITIONS DEVIATE FROM THE P.A.D.  
(b) CONTRACTOR TO BE RESPONSIBLE FOR THE SELECTION, PURCHASE AND INSTALLATION INCLUDING LIFE SAFETY OF THIS PRODUCT, BASED ON THIS P.A.D., PROVIDED HE/SHE DOES NOT DEVIATE FROM THE CONDITIONS DETAILED ON THIS DOCUMENT. CONSTRUCTION SAFETY AT SITE IS THE CONTRACTOR'S RESPONSIBILITY.  
(c) THIS P.A.D. WILL BE CONSIDERED INVALID IF ALTERED BY ANY MEANS.  
(d) THIS P.A.D. SHALL BEAR THE DATE AND ORIGINAL SEAL AND SIGNATURE OF THE PROFESSIONAL ENGINEER OF RECORD THAT PREPARED IT.

Approved as complying with the  
Florida Building Code  
Date 04/08/04  
NOA# 04-0205-01  
Miami Dade Product Control  
Division  
By [Signature]

[Signature]  
3/3/04

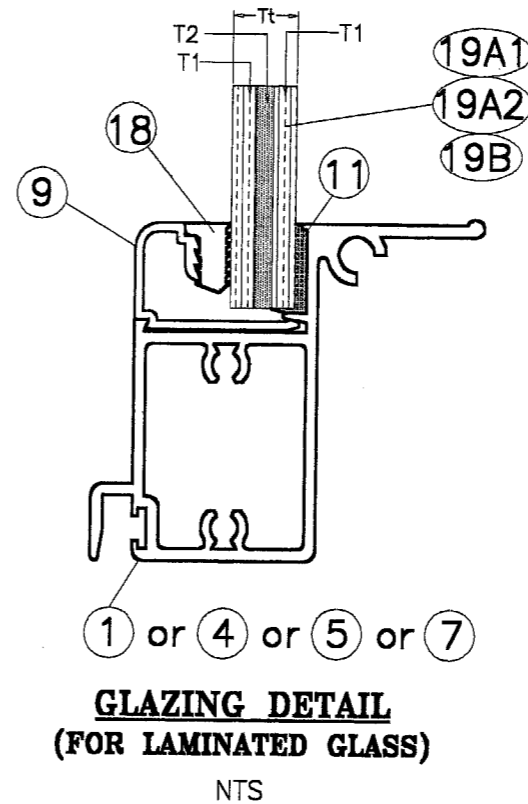
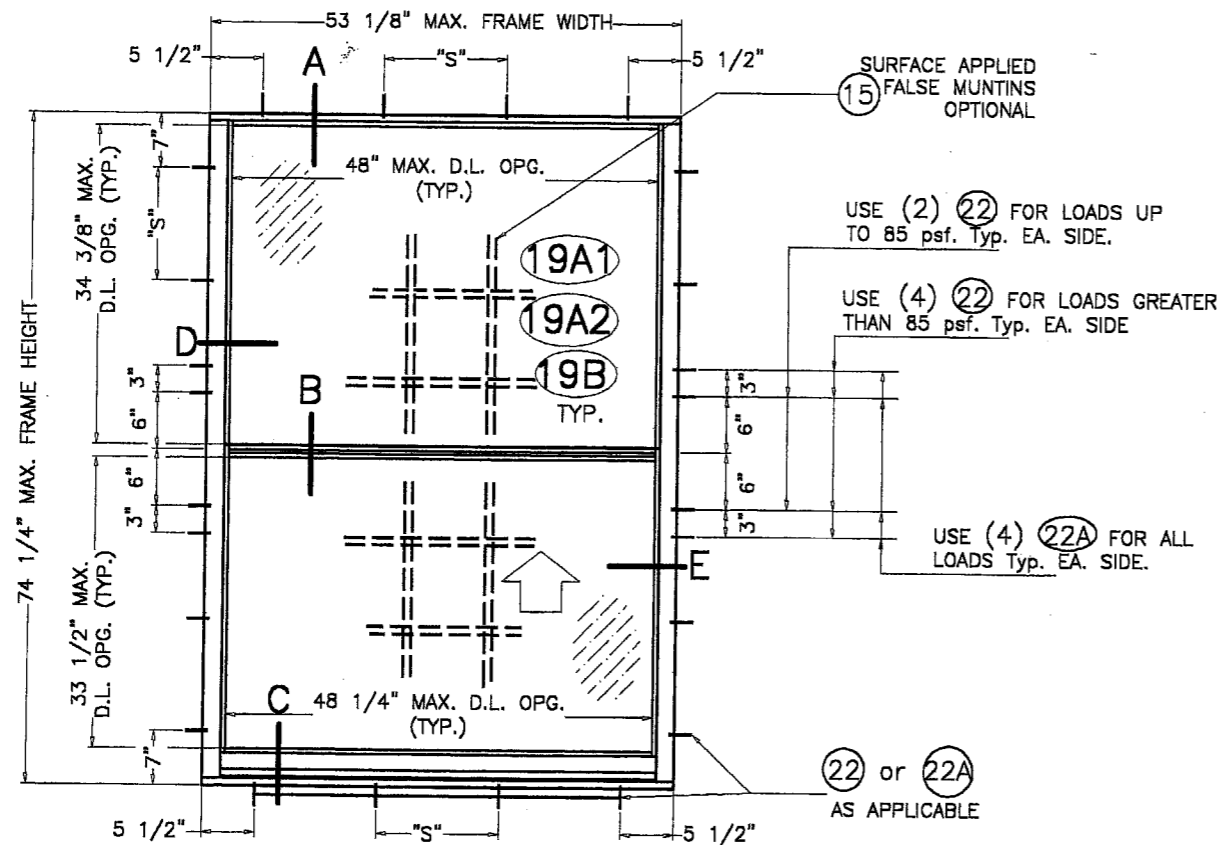
**TILTECO INC.**  
TILIT TESTING & ENGINEERING COMPANY  
6595 N.W. 56th St., Ste. 217, VIRGINIA GARDENS, FL 33166  
Phone: (305)871-1530, Fax: (305)871-1531  
EB-0006719  
WALTER A. TILLIT, Jr., P. E.  
FLORIDA Lic. # 44167

**SERIES 100 LARGE  
MISSILE IMPACT  
SINGLE HUNG WINDOWS**

**STORMPROOF®**  
8500 N. W. 64 ST. MIAMI, FL. 33166  
TEL. (305) 418-8787  
FAX. (305) 418-8700  
www.stormproof.us

NO.	DATE	REVISION

DATE: 03-03-04  
SCALE: AS SHOWN  
DWG. BY:  
CHK. BY:  
DWG. No.: 04-026  
SHEET 1 OF 5



**SERIES 100 SINGLE HUNG WINDOW  
LARGE MISSILE IMPACT  
(EXTERIOR ELEVATION)**

NTS

"S" = MAX. ANCHOR SPACING  
(SEE SCHEDULE)

SEE SECTIONS  
A, B, C, D & E  
ON SHEET 3

WINDOW TYPE \*, PRESSURE RATING AND GLASS SCHEDULE

WINDOW TYPE *	MAX. PRESSURE RATING (psf.)	GLASS TYPE	T1 GLASS (NOMINAL)	T2	T3 GLASS (NOMINAL)	Tt TOTAL	LAMINATED GLASS MANUFACTURER
SERIES 100 SINGLE HUNG WINDOW LARGE MISSILE	+85, -85	19A1	1/8" HEAT STRENGTHENED	0.090" BUTACITE® PVB INTERLAYER	-	0.326"	E.I. DUPONT DENEMOURS & CO., INC.
	+100, -120	19A2	3/16" HEAT STRENGTHENED	0.090" BUTACITE® PVB INTERLAYER	-	0.462"	E.I. DUPONT DENEMOURS & CO., INC.
	+100, -120	19B	3/16" HEAT STRENGTHENED	0.090" DUPONT SENTRY GLAS® PLUS INTERLAYER	-	0.462"	E.I. DUPONT DENEMOURS & CO., INC.

\* SEE ELEVATIONS FOR MAX. FRAME HEIGHT & FRAME WIDTH FOR A GIVEN WINDOW TYPE

SERIES 100 MAX. ANCHOR SPACING SCHEDULE

LOCATION	ANCHOR TYPE	"S"		
		CONCRETE	BLOCK	WOOD
SILL & HEAD	22	14"	14"	-
	22A	-	-	9"
JAMBS	22	12"	12"	-
	22A	-	-	9"

Approved as complying with the  
Florida Building Code  
Date 04/08/04  
NOA# 04-0205-01  
Miami Dade Product Control  
Division  
By *Meredith Beem*

*David [Signature]*  
3/3/04

**TILECO INC.**

TILLIT TESTING & ENGINEERING COMPANY  
6595 N.W. 36th St., Ste. 217, VIRGINIA GARDENS, FL. 33166  
Phone : (305)871-1530 • Fax : (305)871-1531  
EB-0006719  
WALTER A. TILLIT, Jr., P. E.  
FLORIDA Lic. # 44167

**SERIES 100 LARGE  
MISSILE IMPACT  
SINGLE HUNG WINDOWS**

**STORMPROOF®**

8500 N. W. 64 ST. MIAMI, FL. 33166

TEL. (305) 418-8787

FAX. (305) 418-8700

www.stormproof.us

DATE: 03-03-04

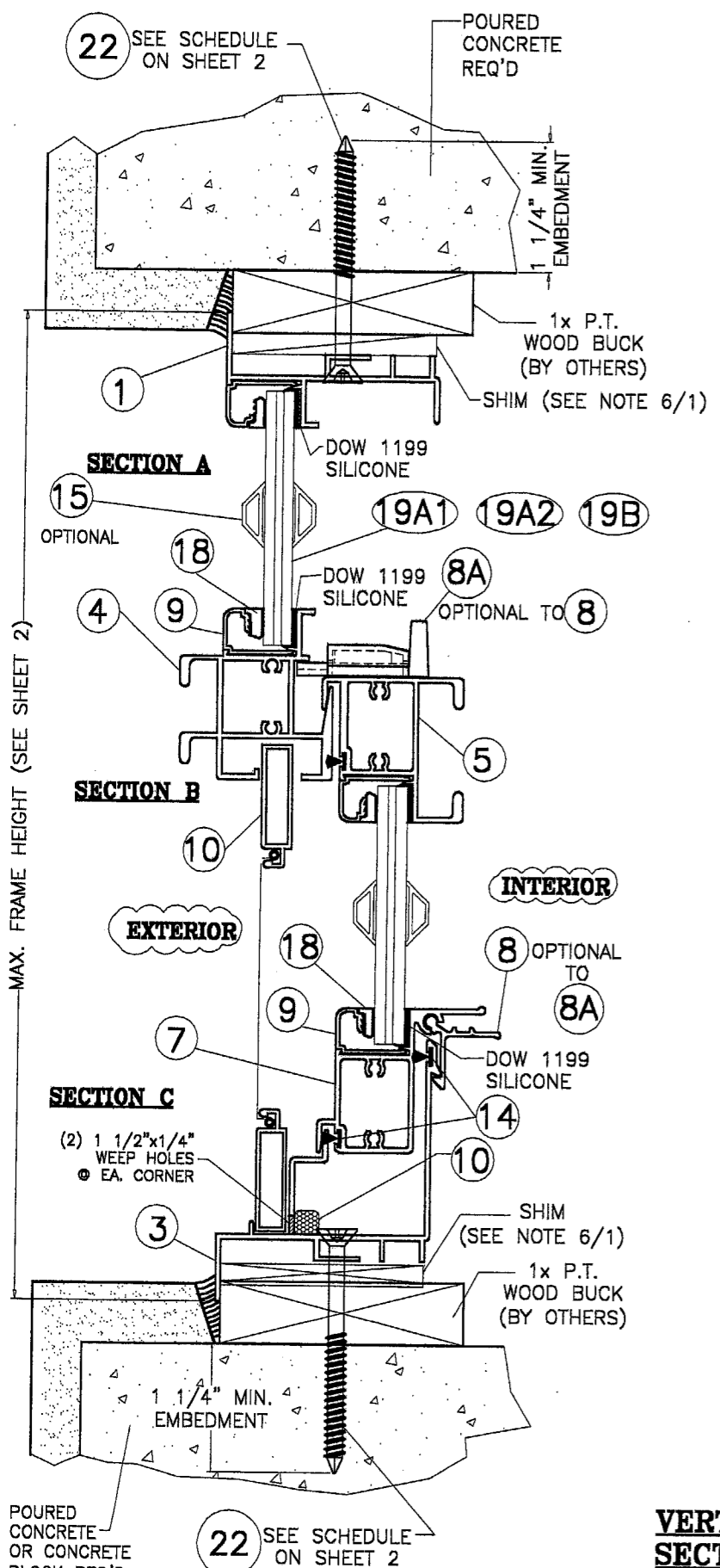
SCALE: AS SHOWN

DWG. BY:

CHK. BY:

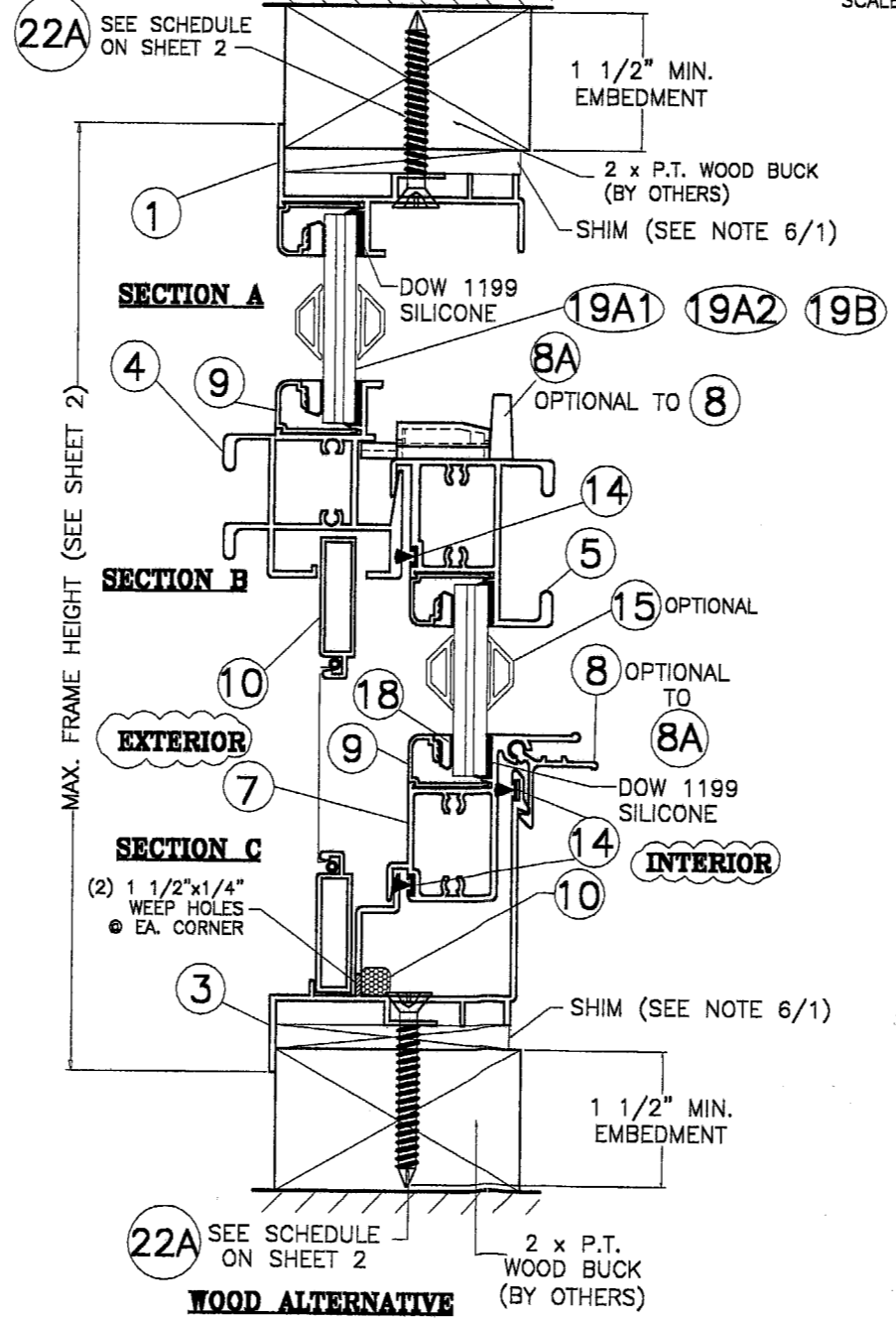
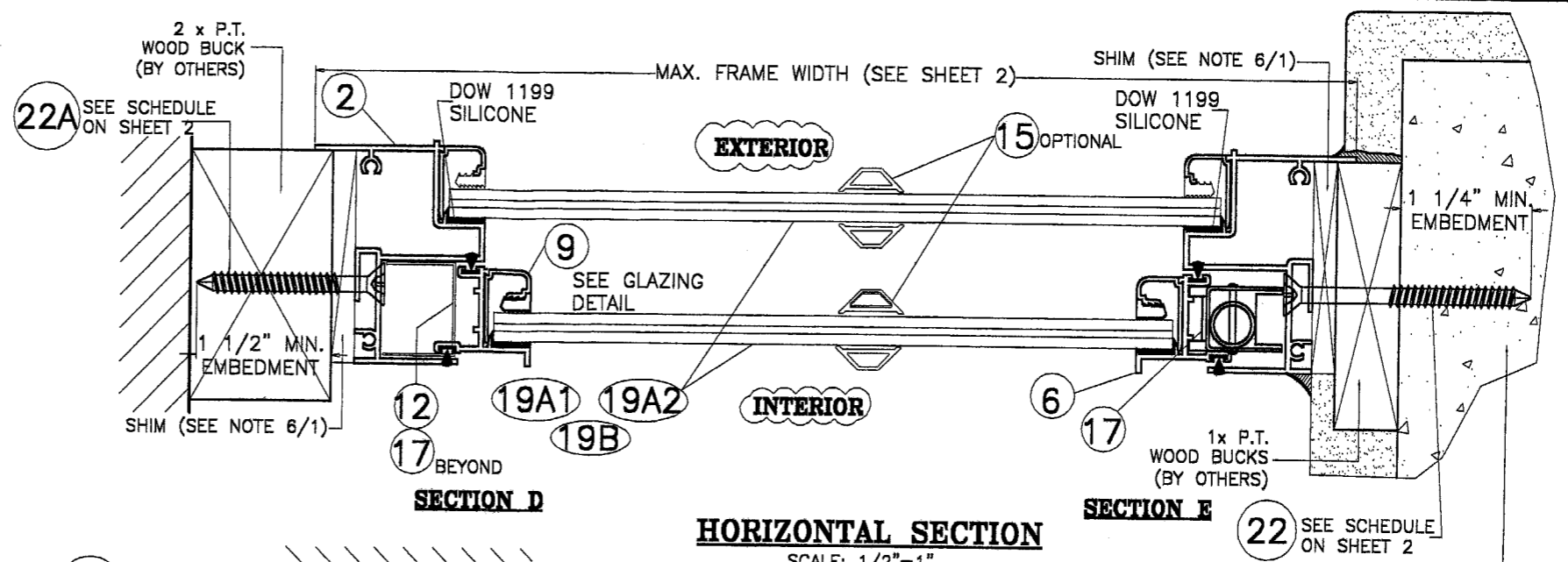
DWG. No.: 04-026

SHEET 2 OF 5



**CONCRETE ALTERNATIVE**

**VERTICAL SECTIONS WITH LAMINATED GLASS**  
SCALE: 1/2"=1"



**WOOD ALTERNATIVE**

Approved as complying with the Florida Building Code  
Date 04/08/04  
NOA# 04-0205-01  
Miami Dade Product Control Division  
By: *[Signature]*

*[Signature]*  
3/3/04

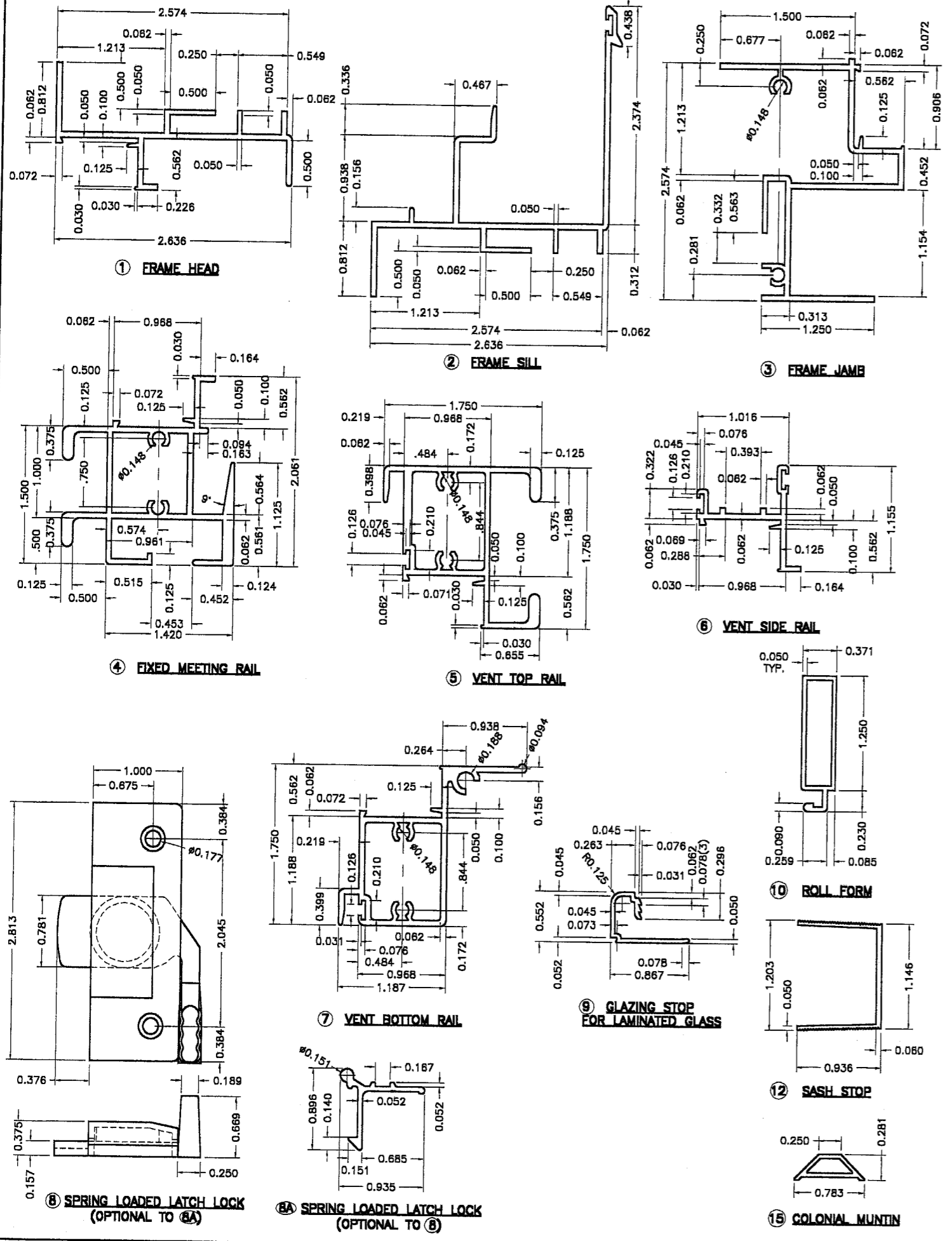
**TILECO INC.**  
TILLIT TESTING & ENGINEERING COMPANY  
6595 N.W. 36th St., Ste. 217, VIRGINIA GARDENS, FL 33166  
Phone : (305)871-1530 Fax : (305)871-1531  
EB-0006719  
WALTER A. TILLIT JR. P. E.  
FLORIDA Lic. # 44167

**SERIES 100 LARGE MISSILE IMPACT SINGLE HUNG WINDOWS**

**STORMPROOF®**  
8500 N. W. 64 ST. MIAMI, FL. 33166  
TEL: (305)418-8787  
FAX: (305)418-8700  
www.stormproof.us

NO.	DATE	REVISION

DATE: 03-03-04  
SCALE: AS SHOWN  
DWG. BY:  
CHK. BY:  
DWG. No.: 04-026  
SHEET 3 OF 5



BILL OF MATERIALS					
ITEM	PART No.	QUANTITY	DESCRIPTION	MATERIAL	MANF./SUPPLIER/REMARKS
1	SP-101	1	FRAME HEAD	ALUM. 6063-T6	
2	SP-103	2	FRAME JAMB	ALUM. 6063-T6	
3	SP-102	1	FRAME SILL	ALUM. 6063-T6	
4	SP-104	1	FIXED MEETING RAIL	ALUM. 6063-T6	
5	SP-105	1	SASH MEETING (TOP) RAIL	ALUM. 6063-T6	
6	SP-107	2	SASH SIDE RAIL	ALUM. 6063-T6	
7	SP-106	1	SASH BOTTOM RAIL	ALUM. 6063-T6	
8	SP-110	2	LATCH LOCK	CAST-IRON	W/STEEL SPRING LOADED & HANDLE
8A	-	2	LATCH LOCK	ALUM. 6063-T5	3.25" LONG , 6" FROM EACH END
9	SP-109	AS REQ'D	GLAZING STOP FOR LAMINATED GLASS	ALUM. 6063-T6	
10	-	1	ROLL FORM	ALUM. 6063-T5	
11	-	AS REQ'D	DOW CORNING	SILICONE	#1199
12	112	2	SASH STOP	ALUM. 6063-T5	
13	111	2	BALANCE STOP	ALUM. 6063-T5	
14	-	24 LF	.187 BY .1875 WEATHERSTRIP	BY ULTRAFAB	
15	SP-406	AS REQ'D	COLONIAL MUNTIN (OPTIONAL)	ALUM. 6063-T5	
16	-	2	RETICULATED FOAM	POLYURETHANE	
17	-	2	BALANCE (WCM-34720)	STEEL/VINYL	GALVANIZED STEEL W/VINYL CAPS
18	-	AS REQ'D	GLAZING VINYL	VINYL	
19A1	MIAMI-DADE COUNTY APPROVED GLASS	AS REQ'D	1/8" NOMINAL(0.118") HEAT STRENGTHENED 0.090" BUTACITE® PVB INTERLAYER 1/8" NOMINAL(0.118") HEAT STRENGTHENED =3/8" (0.340") TOTAL THICKNESS.	3/8" NOMINAL LAMINATED GLASS	E.I. DUPONT DENEMOURS & CO., INC. (SEE GLAZING DETAIL ON SHEET 2) SHALL BE ONLY USED AT SERIES 100 SINGLE HUNG WINDOW
19A2	MIAMI-DADE COUNTY APPROVED GLASS	AS REQ'D	3/16" NOMINAL(0.186") HEAT STRENGTHENED 0.090" BUTACITE® PVB INTERLAYER 3/16" NOMINAL(0.186") HEAT STRENGTHENED =7/16" (0.462") TOTAL THICKNESS.	7/16" NOMINAL LAMINATED GLASS	E.I. DUPONT DENEMOURS & CO., INC. (SEE GLAZING DETAIL ON SHEET 2) SHALL BE ONLY USED AT SERIES 100 SINGLE HUNG WINDOW
19B	MIAMI-DADE COUNTY APPROVED GLASS	AS REQ'D	3/16" NOMINAL(0.186") HEAT STRENGTHENED 0.090" DUPONT SENTRY GLAS® PLUS INTERLAYER 3/16" NOMINAL(0.186") HEAT STRENGTHENED =7/16" (0.462") TOTAL THICKNESS.	7/16" NOMINAL LAMINATED GLASS	E.I. DUPONT DENEMOURS & CO., INC. (SEE GLAZING DETAIL ON SHEET 2) SHALL BE ONLY USED AT SERIES 100 OR 150 SINGLE HUNG WINDOWS.
20	-	AS REQ'D	FRAME ASSEMBLY SCREWS	STEEL	#8 x 1" P.H. S.M.S.
21	-	AS REQ'D	SASH ASSEMBLY SCREWS	STEEL	#8 x 1" P.H. S.M.S.
22	-	AS REQ'D	1/4" TAPCON ANCHORS (SEE NOTE 5A, 5B/1)	STEEL	USE TO CONCRETE OR CONCRETE BLOCK WALL THRU 1/4" MAX. SHIM + 1 x PT. WOOD BUCK W/ 1 1/4" MIN. EMBEDMENT
22A	-	AS REQ'D	#14 FH WOOD SCREWS (SEE NOTE 5C/1)	STEEL	USE TO 2 x P.T. WOOD BUCK (BY OTHERS), THRU 1/4" MAX. SHIM W 1 1/2" MIN. EMBEDMENT

Approved as complying with the Florida Building Code  
 Date 04/08/04  
 NOA# 04-0205.01  
 Miami Dade Product Control Division  
 By *Merrill Lewis*

*Drew*  
3/3/04

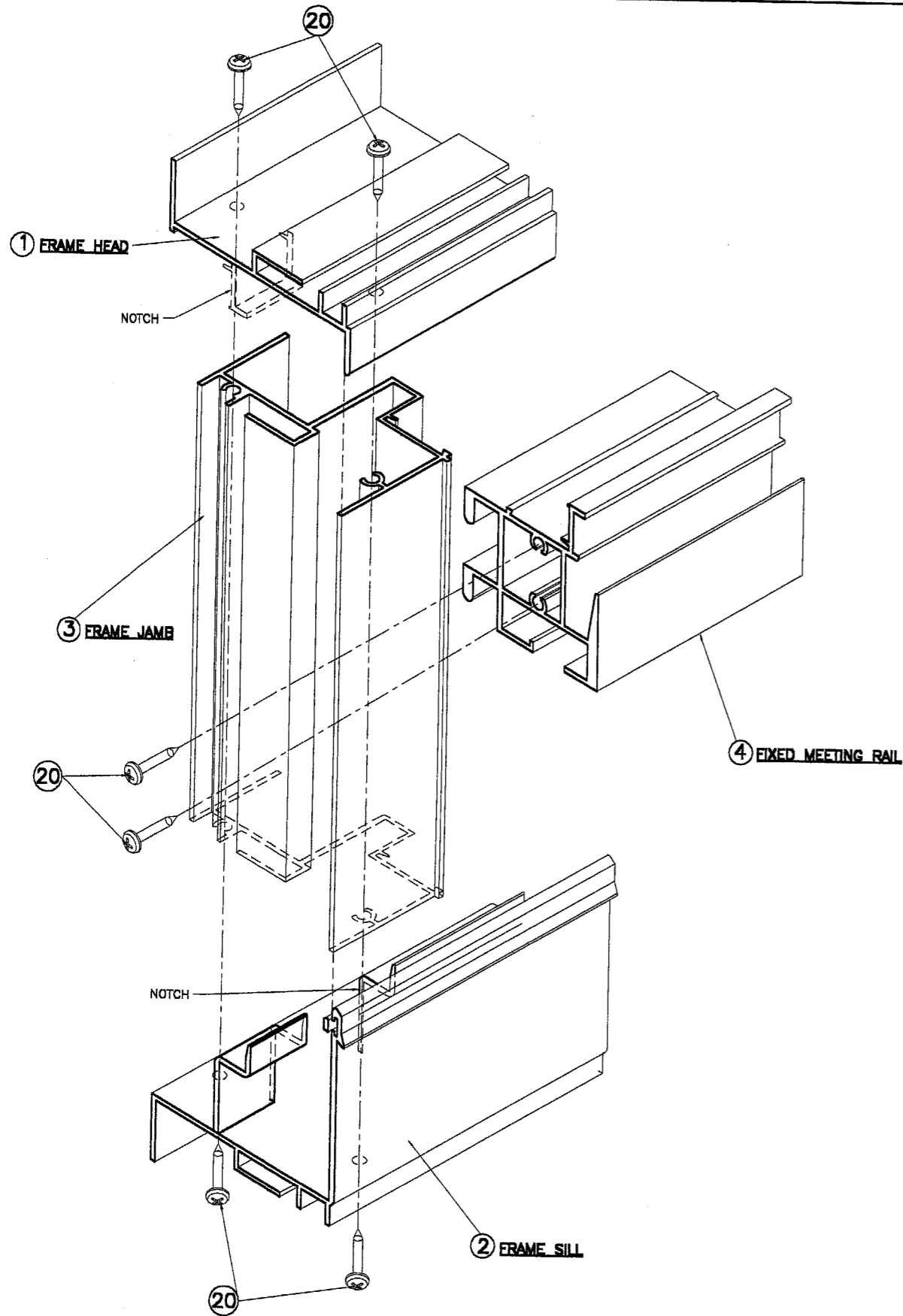
**TILECO INC.**  
 TILLIT TESTING & ENGINEERING COMPANY  
 6595 N.W. 36th St., Ste. 212 VIRGINIA GARDENS, FL 33166  
 Phone : (305)871-1530 Fax : (305)871-1531  
 EB-0006719  
 WALTER A. TILLIT JR. P. E.  
 FLORIDA Lic. # 44167

**SERIES 100 LARGE MISSILE IMPACT SINGLE HUNG WINDOWS**

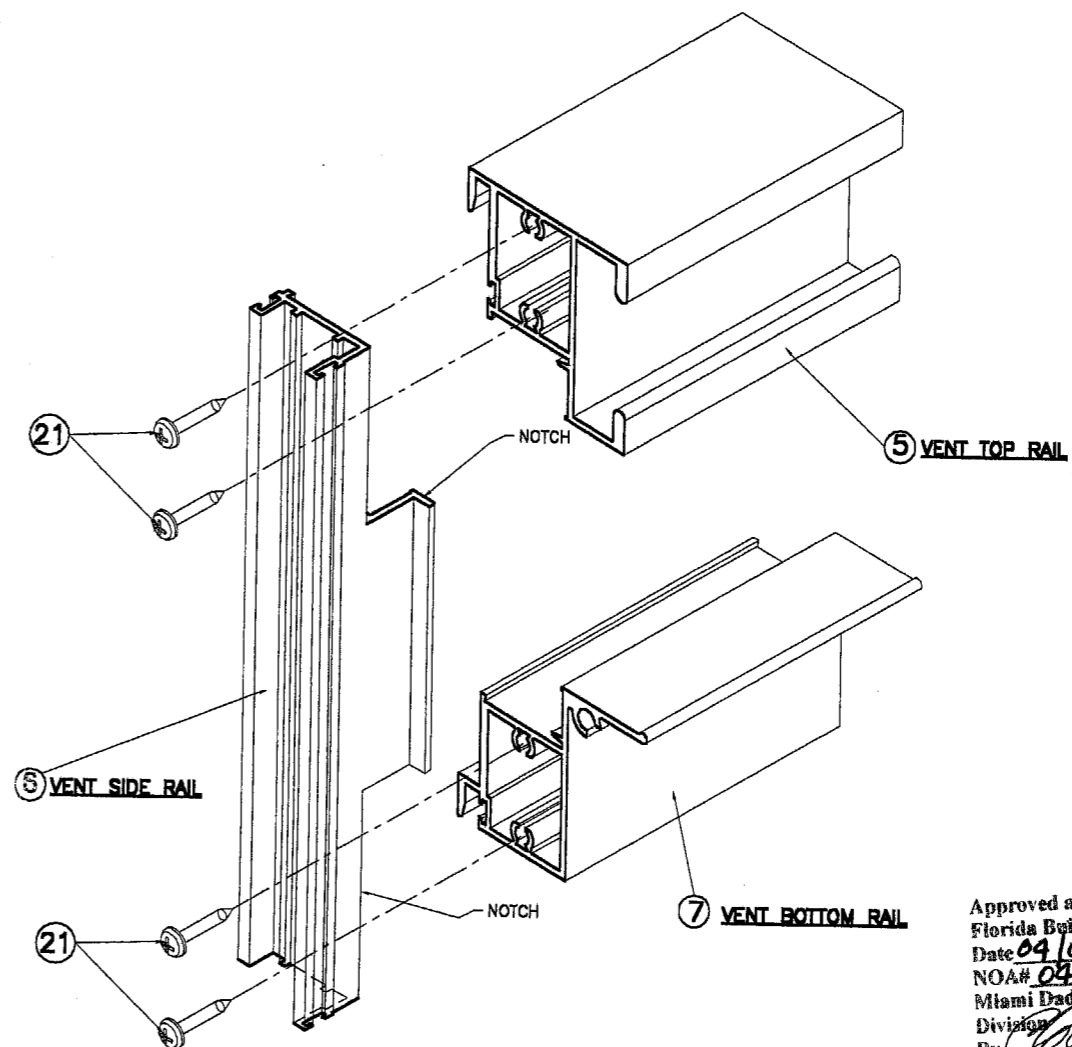
**STORMPROOF®**  
 8500 N. W. 64 ST. MIAMI, FL 33166  
 TEL: (305)418-8787  
 FAX: (305)418-8700  
 www.stormproof.us

NO.	DATE	REVISION

DATE: 03-03-04  
 SCALE: AS SHOWN  
 DWG. BY:  
 CHK. BY:  
 DWG. No.: 04-026  
 SHEET 4 OF 5



**WINDOW FRAME CORNER  
TOP/BOTTOM  
JAMB/FIXED MEETING RAIL (INTERIOR VIEW)**



**SASH (VENT) CORNER  
TOP/BOTTOM (INTERIOR VIEW)**

Approved as complying with the  
Florida Building Code  
Date 04/08/04  
NOA# 04-0205-01  
Miami Dade Product Control  
Division  
By: *Cherian Dew*

# ASSEMBLY DETAILS

(SEE NOTE 8/1)

*Dave D*  
3/8/04

**TILECO INC.**  
TILLIT TESTING & ENGINEERING COMPANY  
6565 N.W. 36th St., Ste. 217, VIRGINIA GARDENS, FL 33166  
Phone: (305)871-1530 • Fax: (305)871-1531  
EB-0006719  
WALTER A. TILLIT, Jr., P. E.  
FLORIDA Lic. # 44167

**SERIES 100 LARGE  
MISSILE IMPACT  
SINGLE HUNG WINDOWS**

**STORMPROOF®**

8500 N. W. 64 ST. MIAMI, FL. 33166  
TEL. (305) 418-8787  
FAX. (305) 418-8700  
www.stormproof.us

NO.	DATE	REVISION

DATE: 03-03-04  
SCALE: AS SHOWN  
DWG. BY:  
CHK. BY:  
DWG. No.: 04-026  
SHEET 5 OF 5